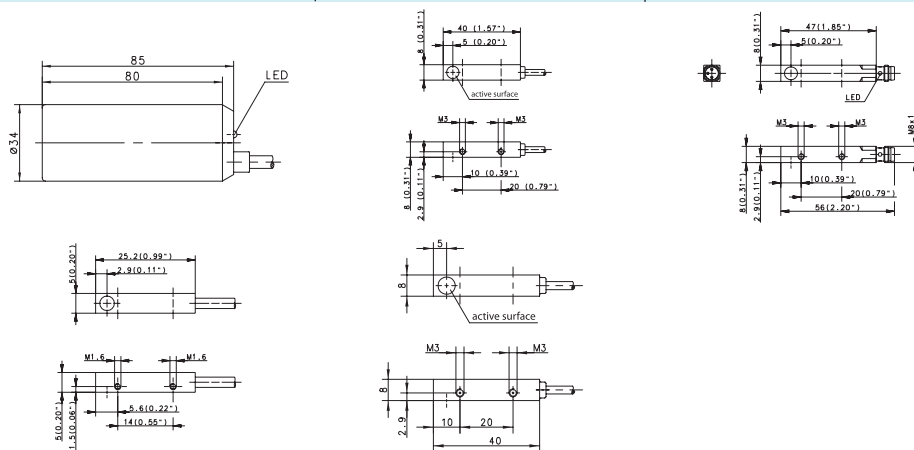


# Inductive Sensors (Type Ø 34 mm, 5 x 5, 8 x 8, 12 x 12, 27 x 10, 28 x 16)

Type	Ø 34 mm	5 x 5 x 25 mm	8 x 8 x 40 mm		8 x 8 x 56 mm
Type of installation	Non-flush	Flush	Flush	Flush	Flush
Nominal sensing distance	20.0 mm	1.5 mm	1.5 mm	1.5 mm	1.5 mm
Type of connection	Cable 2 m	Cable	Cable 2 m	Cable 2 m	Connector M8
Special feature					



PNP	DC	NO contact Type NC contact Type Antivalent NO/NC	6502915002 KIN-R34PS/020-KL2	6502999026 KIB-Q05PS/001-K2PU 6502799010 KIB-Q05PÖ/001-K2PU	6502980004 KIB-Q08PS/1,5-K2 6502780001 KIB-Q08PÖ/1,5-K2	6602980087 KIB-Q08PS/1,5-K2T	6502980002 KIB-Q08PS/1,5-KLSM8 6502780002 KIB-Q08PÖ/1,5-KLSM8
NPN	DC	NO contact Type NC contact Type Antivalent NO/NC					
PNP/NPN	DC	NO/NC prog. Type push-pull operation	6502915001 KIN-R34PP/020-KLSD				
NAMUR	DC						
Analogue	DC						
2-wire	DC	NO contact NC contact					
	AC	NO contact NC contact Changeover contact					

## Technical data

Rated operating voltage	$U_B$	10–60 VDC	10–30 VDC	10–36 VDC	10–36 VDC	10–36 VDC
Rated operating current	$I_B$	200 mA	200 mA	200 mA	200 mA	200 mA
Switching frequency (max)	F	100 Hz	1000 Hz	1000 Hz	1000 Hz	1000 Hz
Short circuit-protection		Cyclic	Cyclic	Cyclic	Cyclic	Cyclic
Function/operating voltage indicator		LED/-	-/-	-/-	-/-	LED/-
Sensing distance, adjustable						

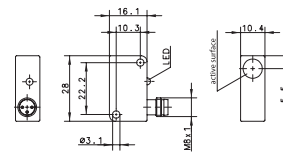
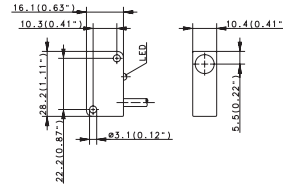
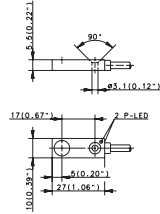
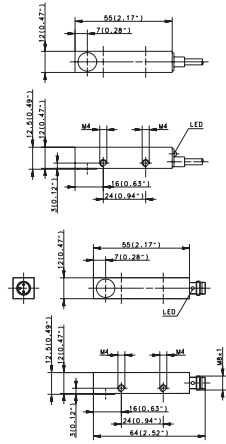
## Mechanical data

Ambient temperature (min/max)		-25°C/+70°C	-25°C/+70°C	-25°C/+70°C	0°C/+100°C	-25°C/+70°C
Protection class in accordance with IEC 529, EN 60529		IP67	IP67	IP67	IP67	IP67
Enclosure material		PBT, red	CuZn39PB3	CuZn39Pb3	CuZn39Pb3	CuZn39Pb3
Connection		3 x 0.5 mm <sup>2</sup>	3 x 0.05 mm <sup>2</sup>	3 x 0.14 mm <sup>2</sup>	3 x 0.14 mm <sup>2</sup>	M8 x 1

Please refer to Accessories for cable couplers, mounting brackets and sensor tester.



12 x 12 x 55 mm		27 x 10 x 5 mm	28 x 16 x 11 mm		
Flush 4 mm Cable 2 m	Flush 4 mm Connector M8	Flush 1.5 mm Cable 2 m	Flush 2 mm Cable 2 m	Flush 2 mm Connector M8	



6502999028 KIB-Q12PS/004-KL2E	6502999030 KIB-Q12PS/004-KLSM8E	6502993001 KIB-E27PS/1,5-KL2PU	6502973001 KIB-E28PS/002-KL2	6502973002 KIB-E28PS/002-KLSM8 6502773001 KIB-E28PÖ/002-KLSM8		
	6502399021 KIB-Q12NS/004-KLSM8E					

10-60 VDC 200 mA 800 Hz Cyclic LED/-	10-60 VDC 200 mA 800 Hz Cyclic LED/-	10-30 VDC 200 mA 1000 Hz Cyclic LED/-	10-30 VDC 200 mA 800 Hz Cyclic LED/-	10-30 VDC 200 mA 800 Hz Cyclic LED/-	
--	--	---	--	--	--

-25°C/+70°C IP67 CuZn39Pb3 3 x 0.14 mm <sup>2</sup>	-25°C/+70°C IP67 CuZn39Pb3 M8 x 1	-25°C/+70°C IP67 PA, black 3 x 0.14 mm <sup>2</sup>	-25°C/+70°C IP67 PA, black 3 x 0.14 mm <sup>2</sup>	-25°C/+70°C IP67 PA, black M8 x 1	
--	--	--	--	--	--

